



900W RECIPROCATING SAW

MODEL NO: **SRS850.V2**

Thank you for purchasing a Sealey product. Manufactured to a high standard, this product will, if used according to these instructions, and properly maintained, give you years of trouble free performance.

IMPORTANT: PLEASE READ THESE INSTRUCTIONS CAREFULLY. NOTE THE SAFE OPERATIONAL REQUIREMENTS, WARNINGS & CAUTIONS. USE THE PRODUCT CORRECTLY AND WITH CARE FOR THE PURPOSE FOR WHICH IT IS INTENDED. FAILURE TO DO SO MAY CAUSE DAMAGE AND/OR PERSONAL INJURY AND WILL INVALIDATE THE WARRANTY. KEEP THESE INSTRUCTIONS SAFE FOR FUTURE USE.



Refer to instructions



Wear eye protection



Wear protective gloves



Wear safety footwear



Wear ear protection



Wear a mask

1. SAFETY

1.1. ELECTRICAL SAFETY

- ❑ **WARNING!** It is the user's responsibility to check the following:

Check all electrical equipment and appliances to ensure that they are safe before using. Inspect power supply leads, plugs and all electrical connections for wear and damage. Sealey recommend that an RCD (Residual Current Device) is used with all electrical products.

If the product is used in the course of business duties, it must be maintained in a safe condition and routinely PAT (Portable Appliance Test) tested.

Electrical safety information, it is important that the following information is read and understood.

- 1.1.1. Ensure that the insulation on all cables and on the appliance is safe before connecting it to the power supply.

- 1.1.2. Regularly inspect power supply cables and plugs for wear or damage and check all connections to ensure that they are secure.

IMPORTANT: Ensure that the voltage rating on the appliance suits the power supply to be used and that the plug is fitted with the correct fuse - see fuse rating in these instructions.

- ✗ **DO NOT** pull or carry the appliance by the power cable.

- ✗ **DO NOT** pull the plug from the socket by the cable. Remove the plug from the socket by maintaining a firm grip on the plug.

- ✗ **DO NOT** use worn or damaged cables, plugs or connectors. Ensure that any faulty item is repaired or replaced immediately by a qualified electrician.

- 1.1.3. This product is fitted with a BS1363/A 3 pin plug.

If the cable or plug is damaged during use, switch the electricity supply and remove from use.

Replace a damaged plug with a BS1363/A 3 pin plug. If in doubt contact a qualified electrician.

Class II products are wired with live (brown) and neutral (blue) only are marked with the Class II symbol;

A) Connect the BROWN live wire to the live terminal 'L'.

B) Connect the BLUE neutral wire to the neutral terminal 'N'.

C) After wiring, check that there are no bare wires and ensure that all wires have been correctly connected.

Ensure that the cable outer sheath extends inside the cable restraint and that the restraint is tight.

- ✗ **DO NOT** connect either wire to the earth terminal.

It is recommended that repairs are carried out by a qualified electrician.

1.2. GENERAL SAFETY

- ✓ Stay alert, watch what you are doing and use common sense when operating a power tool.

- ✗ **DO NOT** use a power tool while you are tired or under the influence of drugs, alcohol or medication.

- ✓ Use personal protective equipment. Always wear eye protection. Protective equipment such as dust mask, non-skid safety shoes, hard hat, or hearing protection used for appropriate conditions will reduce personal injuries.

- ✓ Prevent unintentional starting.

- ✓ Ensure the switch is in the off-position before connecting to power source, picking up or carrying the tool.

- ✓ Remove any adjusting key or wrench before turning the power tool on.

- ✗ **DO NOT** overreach. Keep proper footing and balance at all times.

- ✗ **DO NOT** wear loose clothing or jewellery. Keep your hair and clothing away from moving parts. Loose clothes, jewellery or long hair can be caught in moving parts.

- ✗ **DO NOT** let familiarity gained from frequent use of tools allow you to become complacent and ignore tool safety principles.

- ✗ **DO NOT** force the power tool.

- ✓ Use the correct power tool for your application.

- ✓ The correct power tool will do the job better and safer at the rate for which it was designed.

- ✗ **DO NOT** use the power tool if the switch does not turn it on and off. Any power tool that cannot be controlled with the switch is dangerous and must be repaired.

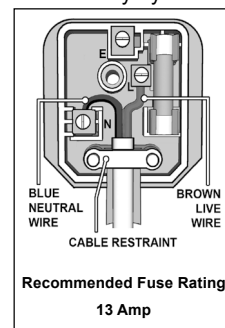
- ✓ Disconnect the plug from the power source before making any adjustments, changing accessories, or storing power tools. Such preventive safety measures reduce the risk of starting the power tool accidentally.

- ✓ Store idle power tools out of the reach of children.

- ✗ **DO NOT** allow persons unfamiliar with the power tool or these instructions to operate the power tool.

- ❑ **WARNING!** Power tools, are dangerous in the hands of untrained users.

- ✓ Maintain power tools and accessories carefully. Check for misalignment or binding of moving parts, breakage of parts and any other



- condition that may affect the power tool's operation. If damaged, have the power tool repaired before use.
- ✓ Keep cutting tools sharp and clean. Properly maintained cutting tools with sharp cutting edges are less likely to bind and are easier to control.
- ✓ Use the power tool, accessories and tool bits etc. in accordance with these instructions, taking into account the working conditions and the work to be performed.
- **WARNING!** Using the power tool for operations different from those intended could result in a hazardous situation.
- ✓ Keep handles and gripping surfaces dry, clean and free from oil and grease.
- ✓ Have your power tool serviced by a qualified repair person using only identical replacement parts.
- ✓ Hold the power tool by its insulated gripping surfaces when performing an operation where the cutting accessory may contact hidden wiring or its own cord. Cutting a "live" wire may make exposed metal parts of the power tool "live" and could give the operator an electric shock.
- ✓ Use clamps to secure and support the workpiece to a stable platform.
- ✓ Use appropriate detection equipment to track down concealed supply lines or consult the local utility companies. Contact with electrical lines may result in fire and electric shock. Damaging a gas line may lead to an explosion. Penetrating a water line causes property damage and may cause an electric shock.
- ✓ Vibrations can be harmful to the human hand-arm system. Keep the vibration exposure time to a minimum.
- ✓ Ensure the shank of the cutting blade is clean before inserting it.
- ✓ Check that the cutting blade is installed correctly. A loose cutting blade could fall out and may cause personal injury.
- ✗ **DO NOT** work on moistened material or moist surfaces.
- ✓ Only hold the power tool against the workpiece when the tool is switched on and running. Otherwise there is a risk of kickbacks.
- ✓ Make sure that the guide is positioned securely on the contact face during sawing. A jammed saw blade could break or cause a kickback.
- **WARNING!** Keep hands out of the sawing area.
- ✗ **DO NOT** reach underneath the workpiece.
- **WARNING!** Keep hands away from quick-release clamp. Crushing hazard upon contact with these components.
- ✓ Ensure there is sufficient ventilation. The use of a dust extraction system may reduce dust-related hazards.
- ✓ Only use intact, flawless cutting blades. Bent and blunt cutting blades could break or cause a kickback.
- ✗ **DO NOT** attempt to slow down the cutting blade movement by pressing against the blade from the side once the device is switched off. The cutting blade could be damaged, break or cause a kickback.
- ✓ Switch off the power tool when your operation is completed.
- ✗ **DO NOT** remove the cutting blade from the workpiece until it has come to a standstill.
- ✓ Immediately switch off the power tool if the cutting blade gets jammed.
- ✓ Wait until the power tool has come to a standstill, before putting it down.
- ✓ Only use the device for sawing plastic, wood, metal and building materials using the suitable cutting blade. The device may be used for: sawing work, straight and curved cuts, flush cutting of protruding workpieces.
- ✓ Whilst adhering to the technical data. We recommend using the power tool with original Sealey accessories.
- **WARNING!** This device is not intended for cutting glass or stone.
- ✗ Check the saw for damages and proper functioning before each use. If you notice any damage, stop using the saw.
- ✗ **DO NOT** use the saw when the saw or your hands are damp or wet!
- ✓ Work on the electrical components must only be carried out by an authorised specialist company!
- ✓ Warning of electrical voltage. Before any work on the device, remove the mains plug from the mains socket. Hold onto the mains plug while pulling the power cable out of the mains socket.
- ✗ There is a risk of a short-circuit due to liquids penetrating the housing!
- ✗ **DO NOT** immerse the device and the accessories in water. Make sure that no water or other liquids can enter the housing.
- **WARNING!** The cutting blade might still be hot after the application. Burn hazard when touching the cutting blade.
- ✗ **DO NOT** touch the cutting blade bare-handed. Wear protective gloves.
- **WARNING!** Hand injuries, crushing hazard near cutting blade and guide if handled without due care. Wear protective gloves.
- **WARNING!** Sharp object. Parts of the cutting blade are sharp. Risk of injuries if handled without due care. Wear protective gloves.
- **WARNING!** Toxic dusts. The harmful / toxic dusts produced during operation pose of risk to the health of the operator and persons in the vicinity.
- **WARNING! DO NOT** cut materials containing asbestos. Asbestos is considered carcinogenic.
- **WARNING!** Risk of injuries caused by flying parts or bursting tool heads.
- **WARNING!** Dangers can occur at the device when it is used by untrained people in an unprofessional or improper way.
- **WARNING!** The device is not a toy and does not belong in the hands of children.
- **WARNING!** Vibration emissions, can cause a health hazard if the device is used for an extended period of time or if it is not properly handled and maintained.
- ✓ Keep a sufficient distance from heat sources.
- ✓ The device may be damaged if you store or transport the device improperly.
- ✗ **DO NOT** reconnect a defective device to the mains.
- ✗ **DO NOT** operate the product with one hand. Grip the saw firmly with both hands.
- ✓ Work only in daylight or good artificial light.
- ✓ If using an extension cable ensure that is clearly marked for outdoor use.
- ✗ **DO NOT** use in the rain or if there is a risk of lightning.
- ✗ **DO NOT** operate the saw in explosive atmospheres, such as in the presence of flammable liquids, gases or dust.
- **WARNING!** The warnings, cautions and instructions in this manual cannot cover all possible conditions and situations that may occur. It must be understood by the operator that common sense and caution are factors which cannot be built into this product, but must be applied by the operator.

1.3. HAND ARM VIBRATION

□ **WARNING! – RISK OF HAND ARM VIBRATION INJURY**

This tool may cause Hand Arm Vibration Syndrome if its use is not managed adequately.

This tool is subject to the vibration testing section of the Machinery Directive 2006/42/EC.

This tool is to be operated in accordance with these instructions.

Please note that the application of the tool to a sole specialist task may produce a different average vibration emission. We recommend

that a specific evaluation of the vibration emission is conducted prior to commencing with a specialist task. A health and safety assessment by the user (or employer) will need to be carried out to determine the suitable duration of use for each tool.

NB: Stated Vibration Emission values are type-test values and are intended to be typical.

Whilst in use, the actual value will vary considerably from and depend on many factors.

Such factors include; the operator, the task and the inserted tool or consumable.

NB: ensure that the length of leader hoses is sufficient to allow unrestricted use, as this also helps to reduce vibration.

The state of maintenance of the tool itself is also an important factor, a poorly maintained tool will also increase the risk of Hand Arm Vibration Syndrome.

1.4. HEALTH SURVEILLANCE

We recommend a programme of health surveillance to detect early symptoms of vibration injury so that management procedures can be modified accordingly.

1.5. PERSONAL PROTECTIVE EQUIPMENT

We are not aware of any personal protective equipment (PPE) that provides protection against vibration injury that may result from the Uncontrolled use of this tool. We recommend a sufficient supply of clothing (including gloves) to enable the operator to remain warm and dry and maintain good blood circulation in fingers etc. Please note that the most effective protection is prevention, please refer to the correct use and maintenance section in these instructions. Guidance relating to the management of hand arm vibration can be found on the HSE website www.hse.gov.uk - Hand-Arm Vibration at Work.

2. INTRODUCTION

Powerful reciprocating saw designed to cut various materials including metal and wood. Handle can be rotated 90° in either direction for greater access and control when working in confined spaces. Fitted with a 2m heavy-duty rubberised cable. Durable composite housing with soft grip for added comfort. Built-in quick blade change system. Blade not included, requires SBS3150 reciprocating saw blades.

3. SPECIFICATION

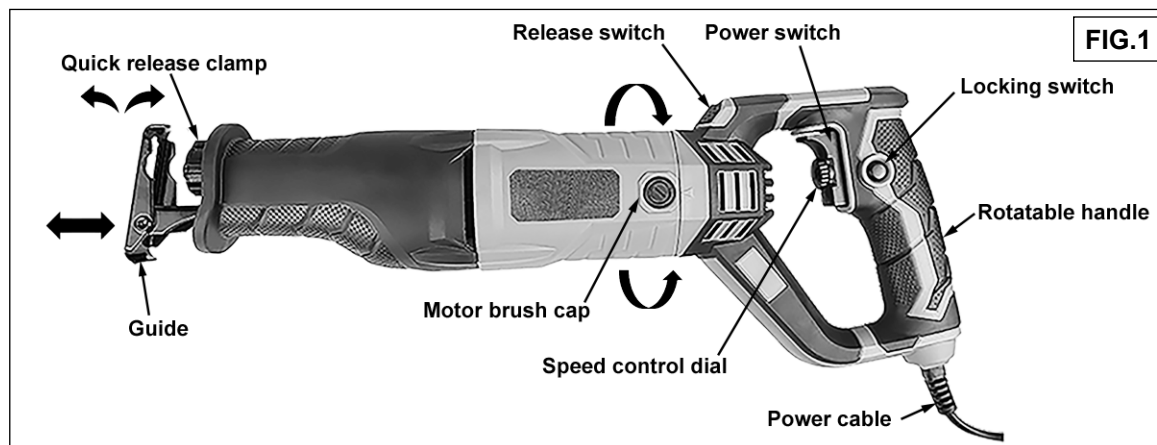
Model No:.....SRS850
 Fuse Rating:.....13A
 Motor Power:.....900W
 Noise Power/Pressure:97.5/86.5dB(A)

No-Load Speed:.....0-3000spm
 Plug Type:3-Pin
 Supply:.....230V
 Vibration/Uncertainty:.....18.905/1.5m/s²

Consumable Parts:

- SBS3150 - Reciprocating Saw Blade Set 3pc 150mm
- WRS3013*, WRS3018*, WRS3021* pack of 5 reciprocating saw blades.

4. SET UP



Unpack the product and check contents. Should there be any damaged or missing parts contact your supplier immediately.

4.1. INSTALLING THE CUTTING BLADE

WARNING! Disconnect from mains power supply before attempting any assembly.

WARNING! Wear protective gloves. The cutting blade is very sharp.

4.1.1. Turn the quick release clamp to the right, and hold (figs 1 & 2).

4.1.2. Pass the cutting blade through the guide (figs 1 & 2) and into the quick release clamp (figs 1 & 2).

4.1.3. Release the quick release clamp.

4.1.4. Pull on the cutting blade to ensure it is securely held.

WARNING! Wear protective gloves. The cutting blade is very sharp.

4.2. REMOVING THE CUTTING BLADE

WARNING! Wear protective gloves. The cutting blade is very sharp.

4.2.1. Allow the cutting blade to fully cool down.

4.2.2. Turn the quick release clamp to the right, and hold (figs 1 & 2).

4.2.3. Take hold of the cutting blade and with care pull it out of the quick release clamp and out through the guard (figs 1 & 2).

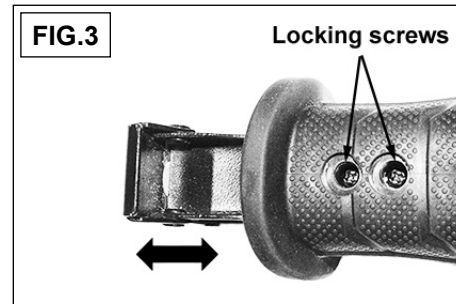
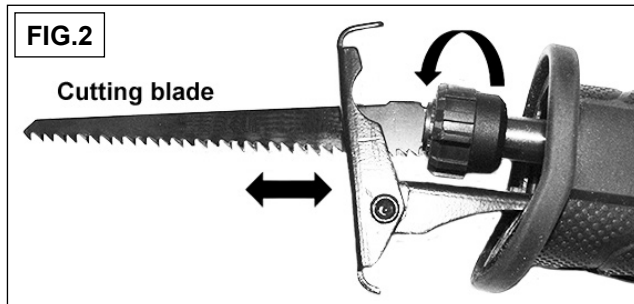
4.2.4. Release the quick release clamp.

4.2.5. Place the cutting blade in a safe, secure childproof location.

4.3. ADJUSTING THE GUIDE

WARNING! Disconnect from mains power supply before attempting any adjustments.

- 4.3.1. To adjust the guide length loosen the cross head screws and move the guide to the desired length (fig 3).
 - 4.3.2. Re-tighten the locking screws.
 - 4.3.3. Adjust the angular position of the guide by firmly holding the guide and rotating to the desired position (fig 1).
- NOTE:** Adjust the guide length and angular position to suit application and the type of cutting blade used.



4.4. ROTATING THE HANDLE

- ❑ **WARNING!** Disconnect from mains power supply before rotating the handle.
- 4.4.1. Press the release switch (fig 1) and firmly holding the handle rotate it through 90°, in either direction, to suit application.

4.5. POWER SWITCH AND LOCKING SWITCH

- 4.5.1. Plug the saw into the power source.
- 4.5.2. To start the saw squeeze the power switch (fig 1) towards the handle (fig 1).
- 4.5.3. Adjust the speed by rotating the speed control dial (fig 1) to the desired speed suitable for the application.
- 4.5.4. At the desired speed press the locking switch (fig 1) to maintain the selected speed.
- 4.5.5. To disengage the locking switch (fig 1) squeeze the power switch (fig 1) to release.
- 4.5.6. To stop the saw release the power switch.

5. OPERATION

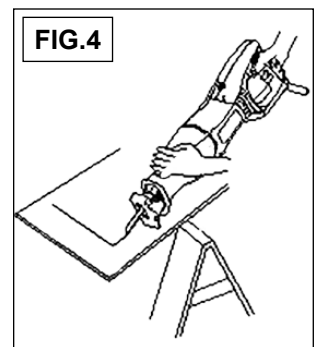
5.1. GENERAL CUTTING

- 5.1.1. When sawing light building materials, observe the statutory provisions and the recommendations of the material suppliers.
- 5.1.2. Always use the correct cutting blade for the task.
- 5.1.3. Check the material being cut for any foreign objects, such as nails or screws, and remove.
- 5.1.4. If required mark the line of the cut.
- 5.1.5. Switch the saw on, see section 4.5, and guide it towards the workpiece.
- 5.1.6. Position the guide (fig 1) onto the surface of the workpiece and saw through the material.
- 5.1.7. Apply uniform contact, pressure and feed.
- ✖ **DO NOT** force the cutting blade. Use only enough pressure to keep the saw cutting. Allow the cutting blade and saw to do the work.
- 5.1.8. On completion of cutting switch the saw off. See section 4.5.6.
- 5.1.9. If the cutting blade becomes jammed, switch the saw off immediately. Widen the gap with a suitable tool and remove the saw.

5.2. PLUNGE CUTTING

Plunge cutting is only suitable for soft materials such as wood, plaster board or similar.

- ❑ **WARNING! DO NOT** plunge cut on metal applications.
- NOTE:** Use only short cutting blades for plunge cutting.
- 5.2.1. If required mark the line of the cut.
- 5.2.2. From a convenient point within the cut-out area place the edge of the guide (fig 4) onto the workpiece.
- 5.2.3. Switch on the saw and select the maximum speed. See section 4.5.
- ❑ **WARNING!** Ensure that the cutting blade is NOT in contact with the workpiece when switching on the saw.
- 5.2.4. Slowly lower the saw until the cutting blade is perpendicular to the workpiece.
- 5.2.5. Continue to cut along the line of cut as required.
- 5.2.6. On completion of cutting switch the saw off. See section 4.5.6.



5.3. FLUSH CUTTING

NOTE: Flush cutting is cutting back items flush to a wall, such as water pipes or similar.

- 5.4. Elastic Bi-metal cutting blades must be used for flush cutting.
- ❑ **WARNING!** To avoid kickback ensure that the cutting blade extends beyond the thickness or diameter of the material being sawn.
- 5.4.1. Apply lateral pressure on the saw until the bi-metal cutting blade and the side of the guide shoe are positioned against the wall.
- 5.4.2. Maintaining a constant lateral pressure complete the saw cut through the material.
- 5.4.3. On completion of cutting switch the saw off. See section 4.5.6.

5.5. COOLANT/LUBRICANT

- 5.5.1. When cutting metal, a coolant or lubricant should be applied to help prevent overheating of the cutting blade.

6. MAINTENANCE

- ❑ **WARNING!** Disconnect the saw from the mains power supply before performing any servicing or maintenance.
- 6.1. Replace or repair damaged parts. Use genuine parts only. Unauthorised parts may be dangerous and will invalidate the warranty.
- 6.2. Regularly inspect all fixing screws. Fully tighten if required.
- 6.3. The carbon brushes should only be inspected or replaced by a qualified service engineer.
- 6.4. Keep the ventilation openings clear and free from obstructions.
- 6.5. Remove material residue from the quick release clamp.
- 6.6. CLEANING**
- 6.6.1. Clean the saw housing ONLY with a damp cloth and dry thoroughly afterwards.
- ✖ **DO NOT** use solvents.
- ❑ **WARNING! DO NOT** immerse the saw in water.



ENVIRONMENT PROTECTION

Recycle unwanted materials instead of disposing of them as waste. All tools, accessories and packaging should be sorted, taken to a recycling centre and disposed of in a manner which is compatible with the environment. When the product becomes completely unserviceable and requires disposal, drain any fluids (if applicable) into approved containers and dispose of the product and fluids according to local regulations.



REGISTER YOUR
PURCHASE HERE



WEEE REGULATIONS

Dispose of this product at the end of its working life in compliance with the EU Directive on Waste Electrical and Electronic Equipment (WEEE). When the product is no longer required, it must be disposed of in an environmentally protective way. Contact your local solid waste authority for recycling information.

Note: It is our policy to continually improve products and as such we reserve the right to alter data, specifications and component parts without prior notice. Please note that other versions of this product are available. If you require documentation for alternative versions, please email or call our technical team on technical@sealey.co.uk or 01284 757505.

Important: No Liability is accepted for incorrect use of this product.

Warranty: Guarantee is 12 months from purchase date, proof of which is required for any claim.

Sealey Group, Kempson Way, Suffolk Business Park, Bury St Edmunds, Suffolk. IP32 7AR



01284 757500



sales@sealey.co.uk



www.sealey.co.uk